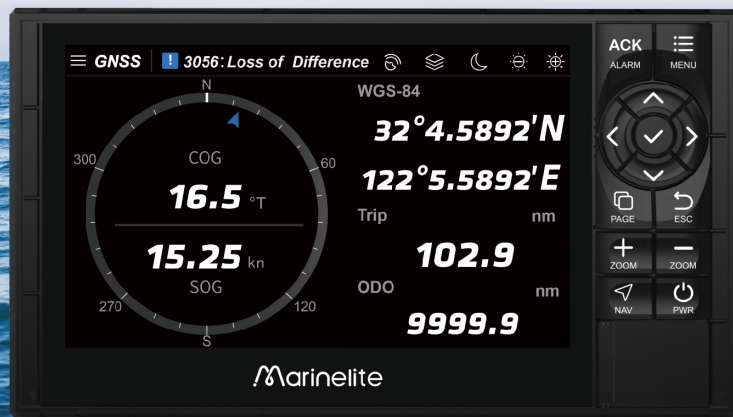


Marinelite®

Highly Stable Position Fixing for Seagoing Vessels

GNSS Navigator

MODEL **GP9000**



- Utilized with the multi-GNSS receivers, advanced speed and heading filtering technology, offering higher accuracy, and stable data information;
- Advanced speed heading filtering technology, making data more smooth;
- Multi-way NMEA0183 output, providing high accuracy and precision ship motion information for radar, plotter, Autopilot, fish finder, sonar and other navigation equipment;
- Equipped with 7-inch high-definition color display, supporting a variety of display modes, more intuitive data and more convenient equipment;
- High visibility even in strong light and at night, good performance of high contrast, brightness adjustment;
- Excellent industrial product design, fashionable appearance, simple installation, maintenance-free, not affected by water temperature and salinity, need to guard against wind and rainstorm complex sea conditions.

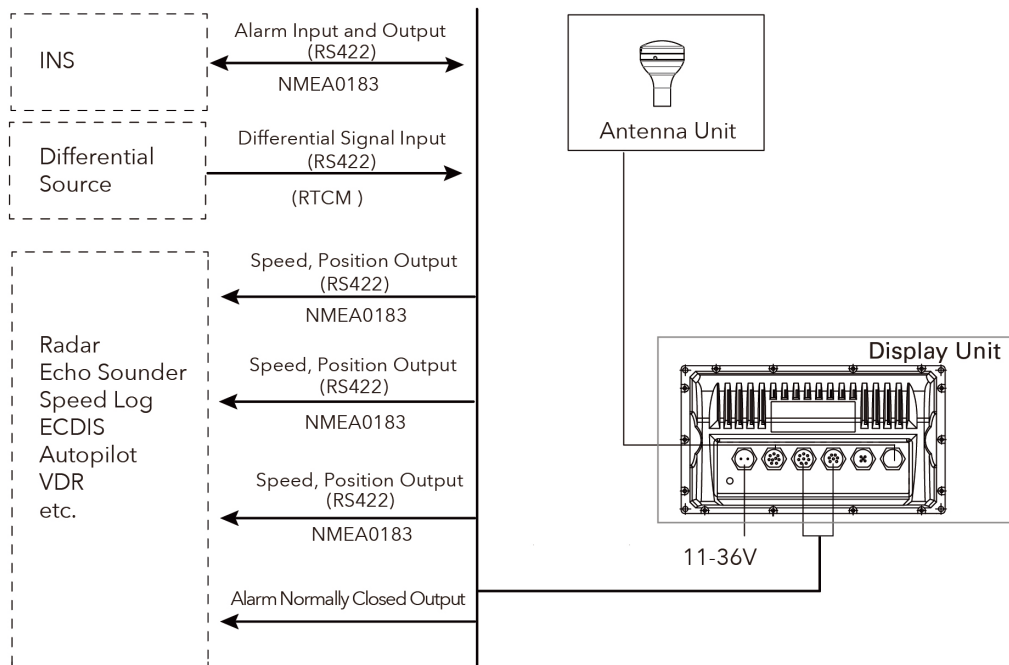
SPECIFICATIONS

GNSS Navigator

Power Supply	DC24V (11-35v)
POS accuracy	3m (95%)
Receiver Sensitivity	-140dBm
RX Frequency	BDS: B1I 1561.098MHz GPS: L1 1575.42MHz GLonass: G1 1602.916MHz Galileo: E1 1575.42 MHz
Number of Channel & Tracking Satellites	64/32
Compass Safe Distance	Stand Compass:85cm Steering Compass:95cm
Degree of Protection of Enclosure	Antenna Unit:IP56 Display Unit:IP20

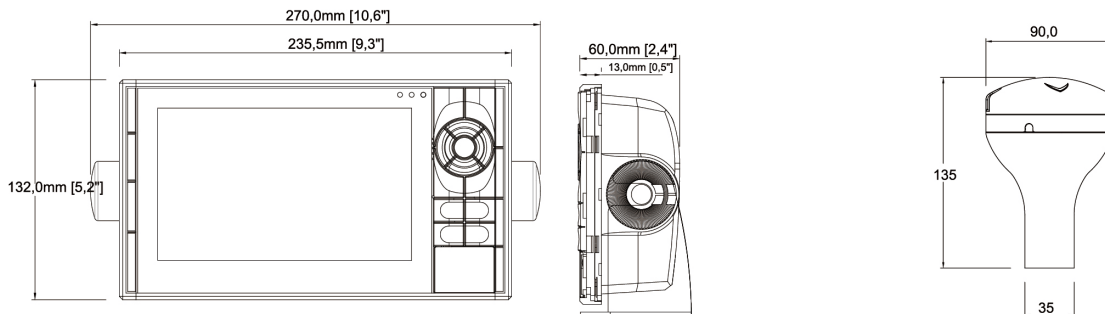
SYSTEM DIAGRAM

GNSS Navigator



DIMENSIONS

GNSS Navigator



Marinelite® NANTONG SAIYANG ELECTRONICS CO.,LTD.



TEL: (+86)0513-89129287/89129288

EMAIL: Saiyang@ova.com.cn

<https://www.saiyangmarine.com>

South Floor 4/5, Building 3, , Building 3, Maipu Technology Park, Xinsheng Road, Chongchuan District, Nantong City, Jiangsu Province